

MS
n≈2900rpm

Horizontal pump SS304
Bomba horizontal inox304
Pompe horizontale inox304
Горизонтальный насос SS304

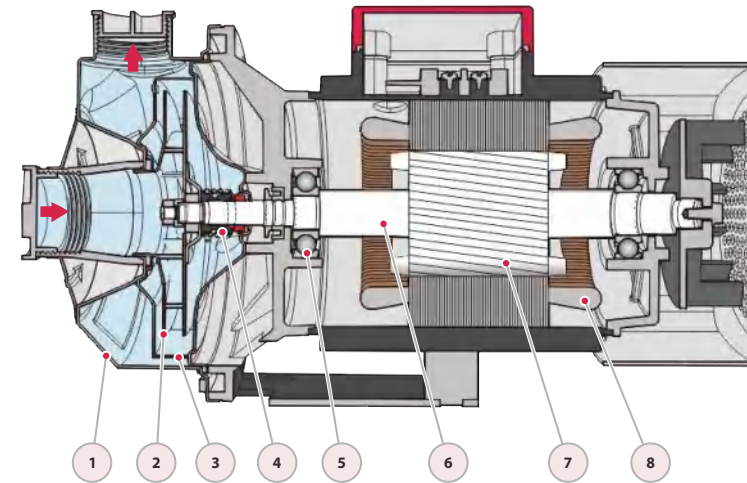


TECHNICAL DATA/DATOS TÉCNICOS/DONNÉES TECHNIQUES/ТЕХНИЧЕСКИЕ ДАННЫЕ

50Hz n≈2900l/min

| MODEL MODELO MODÈLE МОДЕЛЬ | DN | Power Potencia Puissance Мощность | 380V | Q=Delivery/Caudal/Débit/Поддача | | | | | | | | | | | | | | | | | | |
|---|------------|--|------|---------------------------------|------|---------|------|------|------|------|------|------|------|------|------|------|------|------|------|------|----|---|
| | | | | GPM 0 | 5.3 | 10.6 | 15.9 | 21.1 | 26.4 | 32 | 37 | 42 | 53 | 66 | 79 | 88 | 93 | 106 | 119 | | | |
| 1-ph | 3-ph | mm | kw | hp | Amp. | l/min 0 | 1.2 | 2.4 | 3.6 | 4.8 | 6 | 7.2 | 8.4 | 9.6 | 12 | 15 | 18 | 20 | 21 | 24 | 27 | |
| H=Head(m)/Altura(m)/Hauteur(m)/Общий напор в метрах водяного столба (м) | | | | | | | | | | | | | | | | | | | | | | |
| MSm60/0.37 | MS60/0.37 | 32x25 | 0.37 | 0.5 | 1 | 18.5 | 17.7 | 16.4 | 14.6 | 11.4 | - | - | - | - | - | - | - | - | - | - | - | - |
| MSm60/0.55 | MS60/0.55 | 32x25 | 0.55 | 0.75 | 1.4 | 23.5 | 22.7 | 21.3 | 19.5 | 16.2 | - | - | - | - | - | - | - | - | - | - | - | - |
| MSm60/0.75 | MS60/0.75 | 32x25 | 0.75 | 1 | 1.7 | 29.3 | 28.2 | 26.8 | 25 | 22 | - | - | - | - | - | - | - | - | - | - | - | - |
| MSm100/0.55 | MS100/0.55 | 32x25 | 0.55 | 0.75 | 1.4 | 19.5 | - | 17.8 | 16.7 | 15.4 | 14 | 12.2 | 9.9 | - | - | - | - | - | - | - | - | - |
| MSm100/1.1 | MS100/1.1 | 32x25 | 1.1 | 1.5 | 2.4 | 29.3 | - | 27.4 | 26.3 | 25 | 23.4 | 21.5 | 19.5 | 16.7 | - | - | - | - | - | - | - | - |
| MSm160/0.75 | MS160/0.75 | 40x32 | 0.75 | 1 | 1.7 | 16 | - | - | 15.5 | 15.3 | 15 | 14.8 | 14.3 | 13.8 | 12.5 | - | - | - | - | - | - | - |
| MSm160/1.1 | MS160/1.1 | 40x32 | 1.1 | 1.5 | 2.4 | 20 | - | - | 19.7 | 19.5 | 19.3 | 19.1 | 18.7 | 18.2 | 16.5 | - | - | - | - | - | - | - |
| MSm250/1.1 | MS250/1.1 | 40x32 | 1.1 | 1.5 | 2.4 | 16.7 | - | - | - | - | 15.8 | 15.6 | 15.4 | 15 | 14.3 | 13 | 11.5 | - | - | - | - | - |
| MSm250/1.5 | MS250/1.5 | 40x32 | 1.5 | 2 | 3.2 | 24 | - | - | - | - | 23.2 | 23 | 22.7 | 22.2 | 21.4 | 19.8 | 17.7 | - | - | - | - | - |
| MSm250/2.2 | MS250/2.2 | 40x32 | 2.2 | 3 | 4.6 | 29.3 | - | - | - | - | 28.2 | 27.8 | 27.5 | 27 | 26.2 | 24.6 | 22.6 | - | - | - | - | - |
| MSm330/1.5 | MS330/1.5 | 50x32 | 1.5 | 2 | 3.2 | 19.5 | - | - | - | - | 18.8 | 18.7 | 18.5 | 17.8 | 16.7 | 15 | 14 | 13.5 | 11.6 | - | - | - |
| MSm330/2.2 | MS330/2.2 | 50x32 | 2.2 | 3 | 4.6 | 23 | - | - | - | - | 22.5 | 22.2 | 22 | 21.5 | 20.3 | 18.7 | 17.5 | 16.8 | 14.8 | 12.3 | - | - |

MATERIAL/MATERIAL/MATÉRIEL/MATERIAL



| No. | Description/Descripción Description/Описание | Material/Material Matériel/Material |
|-----|---|--|
| 1 | Pump Case/Cuerpo Boîtier/Корпус насоса | SUS304/Inox304 Inox304/CVC304 |
| 2 | Impeller/Impulsor Roue/Импульсор | SUS304/Inox304 Inox304/CVC304 |
| 3 | Diffuser/Difusor Diffuseur/Диффузор | SUS304/Inox304 Inox304/CVC304 |
| 4 | Seal/Cierre Garniture/Тюлень | SiC&Carbon/SiC&Графит SiC&Carbon/SiC&Углерод |
| 5 | Bearing/Cojinete Palier/Подшипник | Ball bearing/Bola rodamiento Roulement bille Шарикоподшипник |
| 6 | Shaft/Eje Arbre/Вал | SUS304/Inox304 Inox304/CVC304 |
| 7 | Rotor/Rotor Rotor/Ротор | Silicon Steel/Acero al Silicio Acier silicium Кремниевая сталь |
| 8 | Wiring/Alambrado Câblage/Электропроводка | 100% copper/100% cobre 100% cuivre/100% медь |

DESCRIPTION/DESCRIPCIONES/DESCRIPTION/ОПИСАНИЕ

- ◆ Horizontal, SS304 single stage centrifugal pump.
- ◆ New design noiseless, energy-saving pump.
- ◆ Compact and proportional design.
- ◆ Ensuring durability and easy in operation.
- ◆ All wetted parts are in stainless steel.
- ◆ YE3 high efficient motor, with protection IP55 class F.
- ◆ Quality bearing, wear resistance mechanical seal.
- ◆ Liquid temperature between -10°C and +120°C.

- ◆ Bomba centrífuga horizontal de una sola etapa inox304.
- ◆ Nuevo diseño bomba que silencioso y ahorra energía.
- ◆ El diseño compacto y proporcional.
- ◆ Asegurando durabilidad y fácil operación.
- ◆ Todas las partes húmedas son de acero inoxidable.
- ◆ Motor de alta eficiencia YE3, con protección IP55 clase F.
- ◆ Rodamiento de calidad y cierre mecánico personalizado.
- ◆ Temperatura del líquido entre -10 °C y + 120 °C.

- ◆ Pompe centrifuge horizontale à un étage inox304.
- ◆ Nouvelle conception de pompe silencieuse et économe.
- ◆ La conception compacte et proportionnelle.
- ◆ Assurer la durabilité et facile à utiliser.
- ◆ Toutes les pièces en contact avec le fluide sont en inox.
- ◆ Moteur haute efficacité YE3, avec protection IP55 classe F.
- ◆ Roulement qualité, joint mécanique résistance à l'usure.
- ◆ Température du liquide entre -10°C et + 120°C.

- ◆ Горизонтальный центробежный насос из нержавеющей стали.
- ◆ Бесшумный энергосберегающий насос новой конструкции.
- ◆ Компактный и пропорциональный дизайн.
- ◆ Обеспечение долговечности и простоты в эксплуатации.
- ◆ Все смачиваемые части изготовлены из нержавеющей стали.
- ◆ Высокоэффективный двигатель YE3 с классом защиты IP55 F.
- ◆ Качественный подшипник, износостойкое механическое уплотнение.
- ◆ Температура жидкости от -10°C до +120°C.

APPLICATIONS/APLICACIONES/APPLICATIONS/ПРИЛОЖЕНИЯ

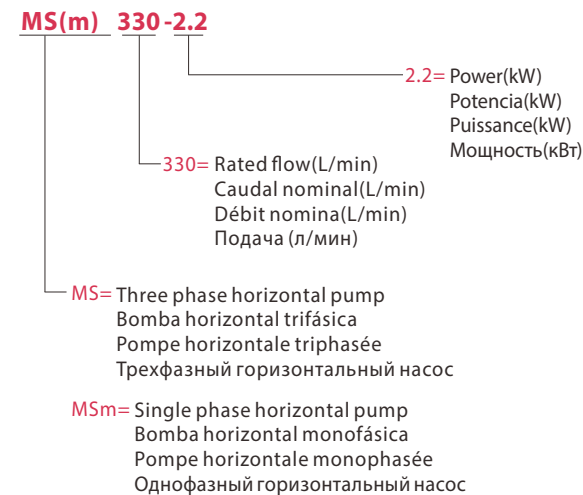
- ◆ The stainless steel single stage pumps are suitable for industrial processing systems, washing and cleaning systems, pumping of acids and alkalis, filtration systems, water pressure boosting, water treatment, HVAC etc.

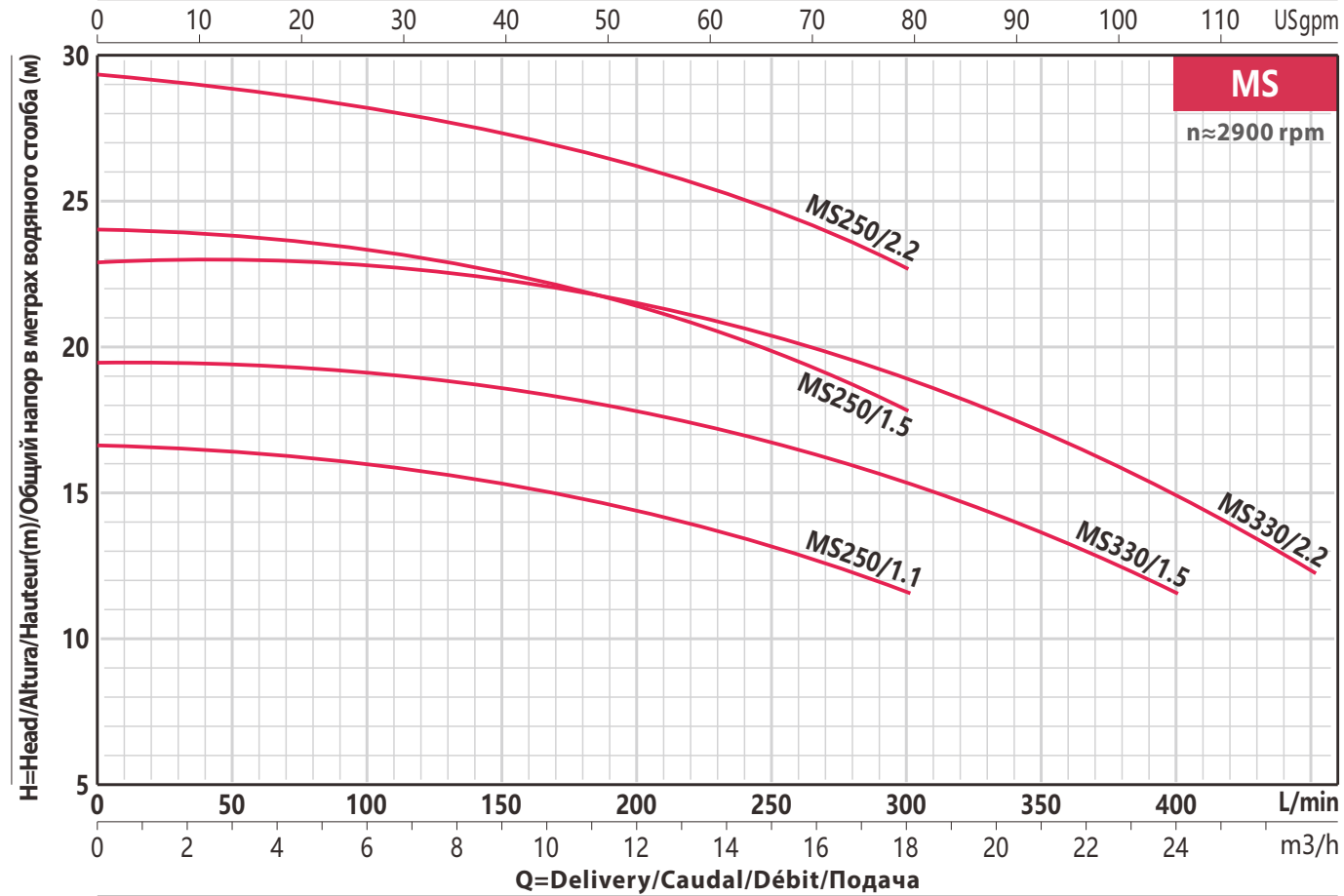
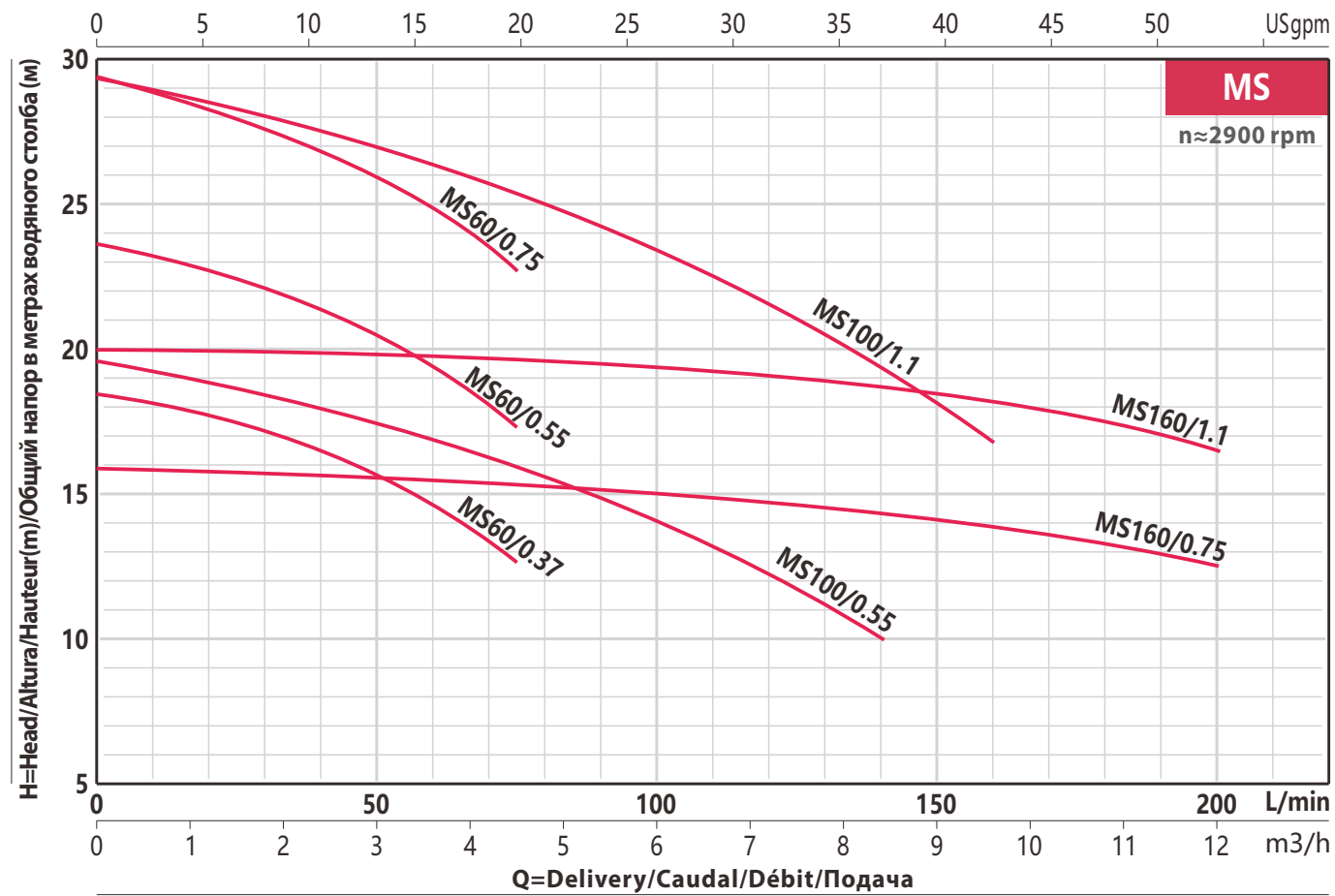
- ◆ Las bombas sola etapa de acero inoxidable son adecuadas para sistemas de procesamiento industrial, sistemas de lavado y limpieza, bombeo de ácidos y álcalis, sistemas de filtración, HVAC, riego, etc.

- ◆ Les pompes à un étage en acier inoxydable conviennent systèmes de traitement industriel, systèmes de lavage et de nettoyage, pompage des acides et des alcalis, systèmes de filtration, à l'irrigation, etc.

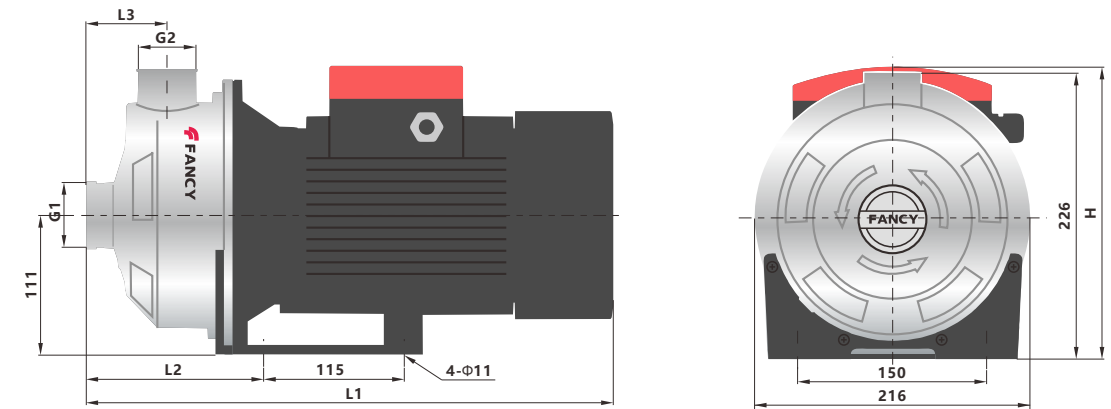
- ◆ Одноступенчатый насосы подходят для промышленных системы обработки, системы мойки и очистки, перекачки кислоты и щелочи, системы фильтрации, повышение давления воды, ирригация и т. д.

MODEL CODE/CÓDIGO MODELO/COE MODÈLE/КОД МОДЕЛИ





DIMENSIONS AND N.W./DIMENSIONES Y PESOS/DIMENSIONS ET POIDS/РАЗМЕРЫ И ВЕС



| MODEL MODELO MODÈLE МОДЕЛЬ | | DIMENSIONS/DIMENSIONES DIMENSIONS/РАЗМЕРЫ mm | | | | | | NW kg |
|-------------------------------------|------------|--|----|-----|-----|----|-----|----------|
| 1-ph | 3-ph | G1 | G2 | L1 | L2 | L3 | H | |
| MSm60/0.37 | MS60/0.37 | 32 | 25 | 340 | 118 | 52 | 206 | 11 |
| MSm60/0.55 | MS60/0.55 | 32 | 25 | 340 | 118 | 52 | 206 | 12 |
| MSm60/0.75 | MS60/0.75 | 32 | 25 | 380 | 118 | 52 | 215 | 13 |
| MSm100/0.55 | MS100/0.55 | 32 | 25 | 340 | 118 | 52 | 206 | 12 |
| MSm100/1.1 | MS100/1.1 | 32 | 25 | 380 | 118 | 52 | 215 | 14 |
| MSm160/0.75 | MS160/0.75 | 40 | 32 | 394 | 132 | 55 | 215 | 13 |
| MSm160/1.1 | MS160/1.1 | 40 | 32 | 394 | 132 | 55 | 215 | 14 |
| MSm250/1.1 | MS250/1.1 | 40 | 32 | 394 | 132 | 55 | 215 | 18 |
| MSm250/1.5 | MS250/1.5 | 40 | 32 | 416 | 132 | 55 | 222 | 20 |
| MSm250/2.2 | MS250/2.2 | 40 | 32 | 457 | 132 | 55 | 222 | 18 |
| MSm330/1.5 | MS330/1.5 | 50 | 32 | 416 | 132 | 55 | 222 | 18 |
| MSm330/2.2 | MS330/2.2 | 50 | 32 | 457 | 132 | 55 | 222 | 20 |