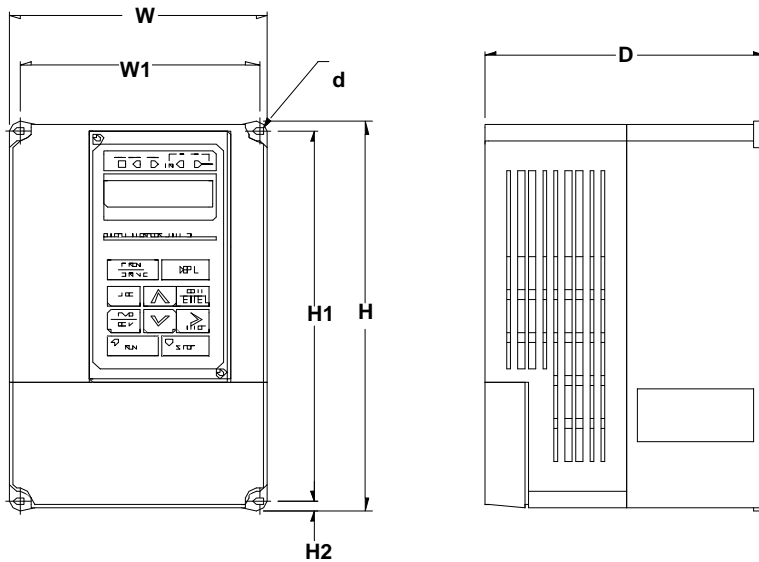


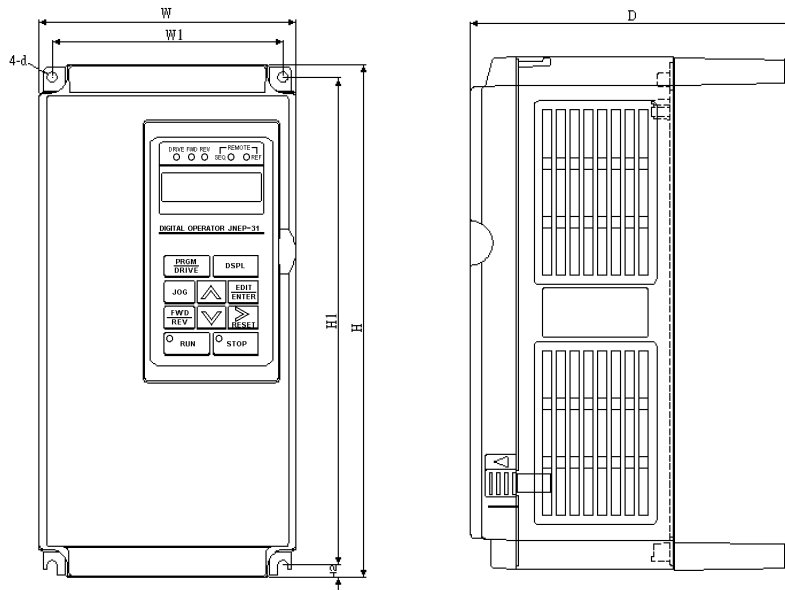
# 1.9 Dimensions

Voltage	Inverter Capacity(HP)	Open Chassis Type (IP00) (mm)						Weight (kg)	Enclosed Type (NEMA1) (mm)						Weight (kg)	ACL/DCL	Reference Figure							
		W	H	D	W1	H1	d		W	H	D	W1	H1	d										
220V 1/3 φ	1	/						-	132	217	143.5	122	207	M5	2.3	External ACL (option)	(a)							
	2								140	279.5	176.5	126	266	M6	4.3									
	3								140	279.5	176.5	126	266	M6	4.3									
220V 3 φ	5								211.2	300	215	192	286	M6	5.7									
	7.5								265	360	225	245	340	M6	12									
	10														13									
	15														31									
20	32																							
220V 3 φ	25								269	553	277	Top 210 Bottom 180	530	M10	30	269	647	277	Top 210 Bottom 180	530	M10	DCL Built-in (Standard)	(c)	
	30														31									
440V 3 φ	40	/						-	132	217	143.5	122	207	M5	2.3	External ACL (option)	(a)							
	1								140	279.5	176.5	126	266	M6	4.3									
	2								140	279.5	176.5	126	266	M6	4.3									
	3								211.2	300	215	192	286	M6	5.7									
	5								265	360	225	245	340	M6	12									
	7.5														13									
	10														31									
	15														32									
	440V 3 φ								20	269	553	277	Top 210 Bottom 180	530	M10	30	269	647	277	Top 210 Bottom 180	530	M10	DCL Built-in (Standard)	(c)
									25							31								
		30	32																					
40		46																						
440V 3 φ	50	308	653	282	Top 250 Bottom 220	630	M10	46	308	747	282	Top 250 Bottom 220	630	M10	DCL Built-in (Standard)	(c)								
	60							47																
	75							47																

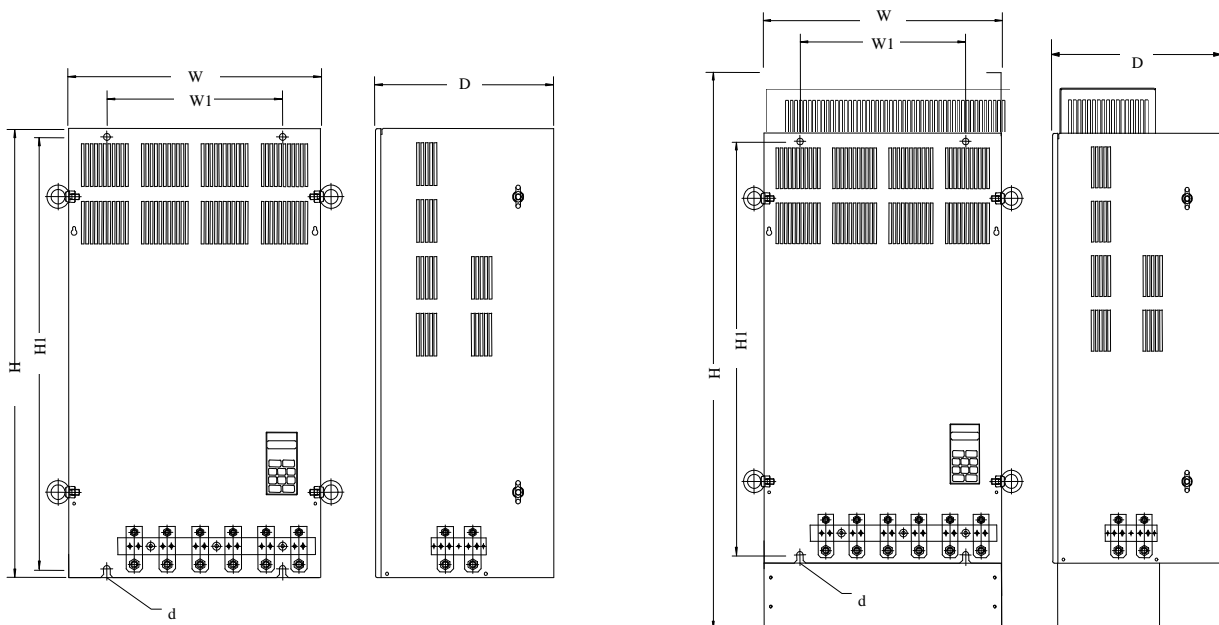
(a) 220V / 440V : 1~2HP



(b) 220V : 3HP~25HP  
 440V : 3HP~30HP



(c) 220V : 30HP~ 40HP  
 440V : 40HP~75HP



( Open Chassis Type — IP00 )

( Enclosed, Wall-mounted Type — NEMA1 )

(d) NEMA4 Type : 1HP~ 20HP

Voltage	Inverter Capacity (HP)	NEMA4 (mm)						Weight (kg)
		W	H	D	W1	H1	d	
220V 1/3 $\phi$	1	198	335	217	115	315	M6	6.3
	2							
	3							
220V 3 $\phi$	5	223	460	245	140	440	M6	7.5
	7.5							
	10							
	15							
	20							
440V 3 $\phi$	1	198	335	217	115	315	M6	6.3
	2							
	3							
	5							
	7.5	223	460	245	140	440	M6	16
	10							
	15							
	20							

